



**LEGEND**

- SHARED PATHWAY - 2.0m WIDE BITUMEN SEALED
- ACCESS ROADWAY - 4.0m WIDE BITUMEN SEALED
- DELWP RECREATION RESERVE
- MTB NETWORK OF TRACKS
- SUSPENSION BRIDGE
- OVERFLOW CARPARK AREA
- FENCELINE WITH LANDSCAPING
- MITTA MITTA STREETScape - BBRF R6 GRANT
- MITTA MITTA STREETScape - FUNDED BY VIC ROADS



**DIAL BEFORE YOU DIG**  
www.1100.com.au

DYBD REQUIRED BEFORE ALL WORKS COMMENCE

**UNFINISHED DRAWING**

FOR DISCUSSION PURPOSES ONLY  
SUBJECT TO FURTHER AMENDMENT

SIGNED [FULL NAME]  
DATE [DATE]

REV	DATE	COMMENT	INITIALS
REVA	10/01/22	GRANT SUBMISSION	CM



32 TOWONG STREET [PO BOX 55]  
TALLANGATTA VIC 3700  
02 6071 5100  
WWW.TOWONG.VIC.GOV.AU

**TOWONG SHIRE COUNCIL**  
MITTA MITTA TOWNSHIP - PATHWAYS  
VIC

[SHEET CATEGORY]  
[CHAINAGE RANGE]

DESIGNED	HA/RG/SH	DRAWING NO	
DRAWN	CM	T220110	
CHECKED	RG	SHEET NO	PAGE SIZE
APPROVED	RG	1	A3
	SCALE UNIT	1:5000 METRES	



**DIAL BEFORE YOU DIG**  
www.1100.com.au

DYBD REQUIRED BEFORE ALL WORKS COMMENCE

**UNFINISHED DRAWING**  
FOR DISCUSSION PURPOSES ONLY  
SUBJECT TO FURTHER AMENDMENT

SIGNED [FULL NAME]  
DATE [DATE]

REV	DATE	COMMENT	INITIALS
REVA	10/01/22	GRANT SUBMISSION	CM

32 TOWONG STREET [PO BOX 55]  
TALLANGATTA VIC 3700  
02 6071 5100  
WWW.TOWONG.VIC.GOV.AU

**TOWONG SHIRE COUNCIL**  
MITTA MITTA TOWNSHIP - PATHWAYS  
VIC

[SHEET CATEGORY]  
[CHAINAGE RANGE]

DESIGNED	HA/RG/SH	DRAWING NO	
DRAWN	CM	T220110	
CHECKED	RG	SHEET NO	PAGE SIZE
APPROVED	RG	2	A3
	SCALE	1:2000	
	UNIT	METRES	



DYBD REQUIRED BEFORE ALL WORKS COMMENCE

**UNFINISHED DRAWING**

FOR DISCUSSION PURPOSES ONLY  
SUBJECT TO FURTHER AMENDMENT

SIGNED [FULL NAME]  
DATE [DATE]

REV	DATE	COMMENT	INITIALS
REVA	10/01/22	GRANT SUBMISSION	CM



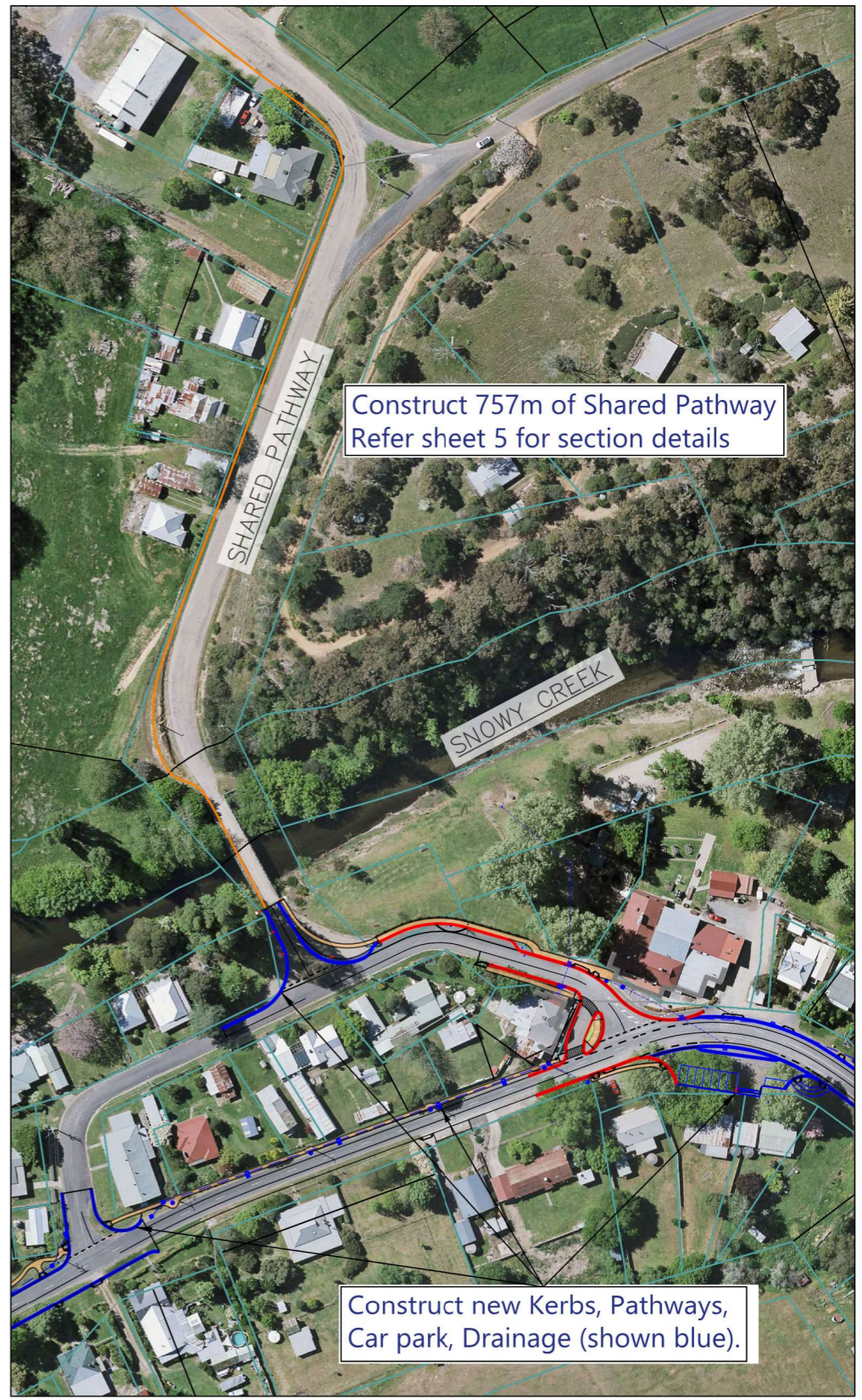
32 TOWONG STREET [PO BOX 55]  
TALLANGATTA VIC 3700  
02 6071 5100  
WWW.TOWONG.VIC.GOV.AU

**TOWONG SHIRE COUNCIL**

MITTA MITTA TOWNSHIP - PATHWAYS  
VIC

[SHEET CATEGORY]  
[CHAINAGE RANGE]

DESIGNED	HA/RG/SH	DRAWING NO	
DRAWN	CM	T220110	
CHECKED	RG	SHEET NO	PAGE SIZE
APPROVED	RG	3	A3
	SCALE	1:2000	
	UNIT	METRES	



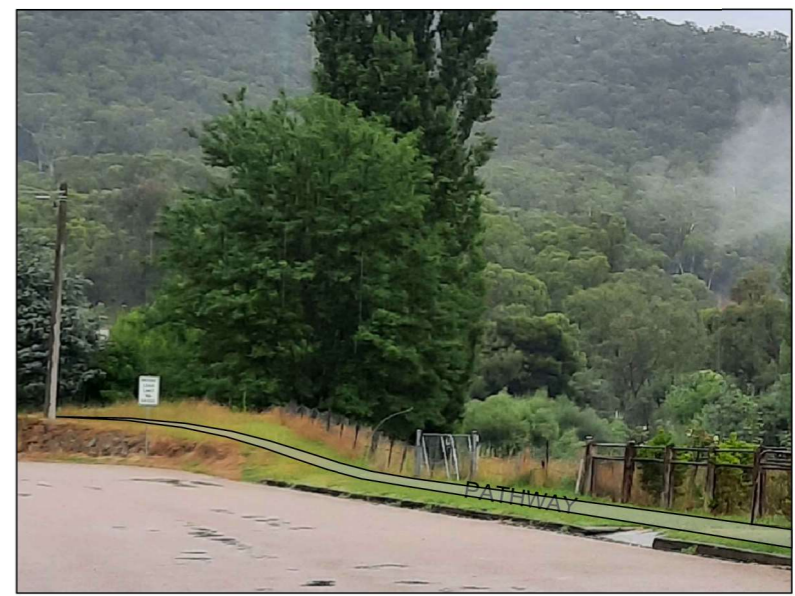
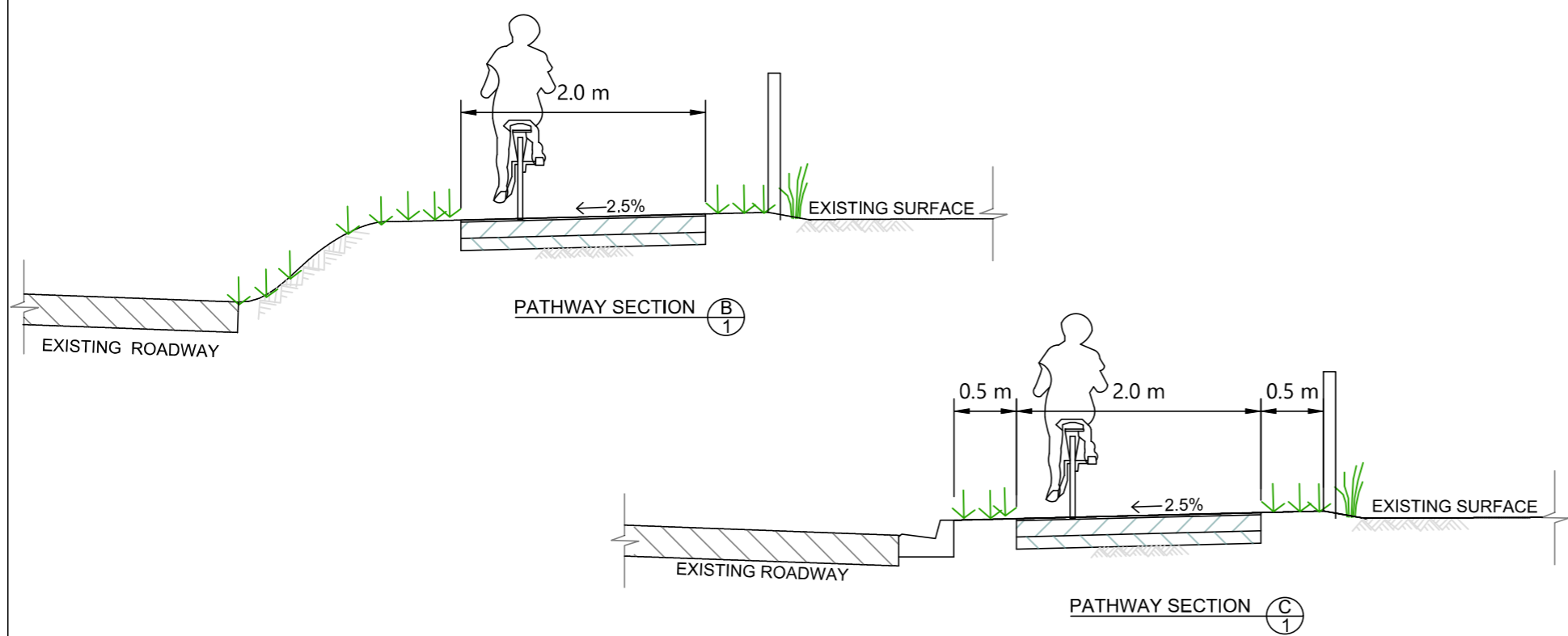
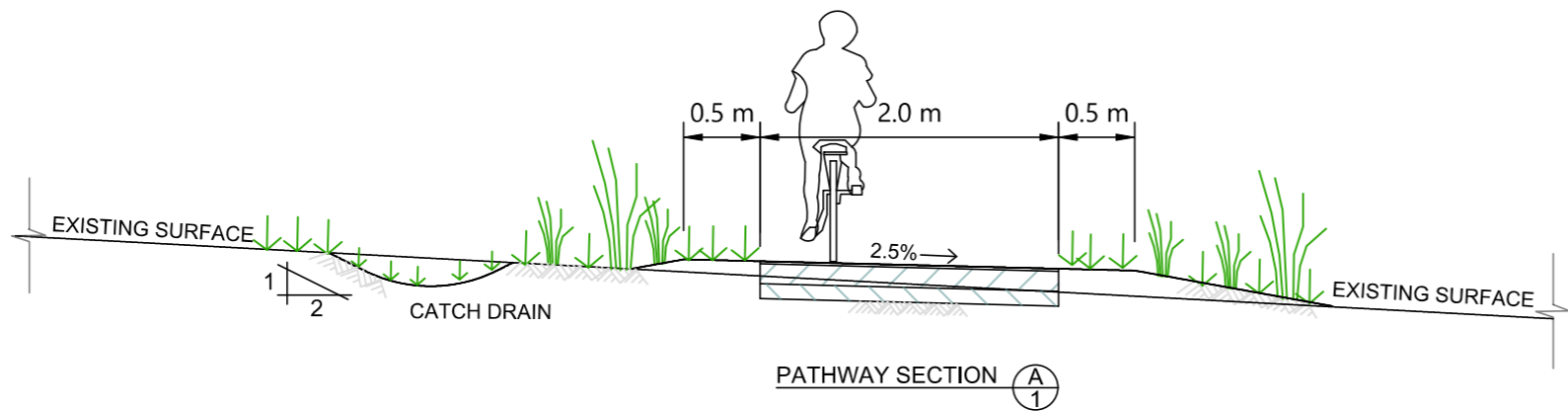
**UNFINISHED DRAWING**  
 FOR DISCUSSION PURPOSES ONLY  
 SUBJECT TO FURTHER AMENDMENT  
 SIGNED [FULL NAME]  
 DATE [DATE]

REV	DATE	COMMENT	INITIALS
REVA	10/01/22	GRANT SUBMISSION	CM

**towongshire**  
 innovation : technology : sustainability  
 32 TOWONG STREET [PO BOX 55]  
 TALLANGATTA VIC 3700  
 02 6071 5100  
 WWW.TOWONG.VIC.GOV.AU

**TOWONG SHIRE COUNCIL**  
 MITTA MITTA TOWNSHIP - PATHWAYS  
 VIC  
 [SHEET CATEGORY]  
 [CHAINAGE RANGE]

DESIGNED	HA/RG/SH	DRAWING NO	
DRAWN	CM	T220110	
CHECKED	CM	SHEET NO	PAGE SIZE
APPROVED	RG	4	A3
[Symbol]	SCALE UNIT	1:2000 METRES	



**UNFINISHED DRAWING**  
 FOR DISCUSSION PURPOSES ONLY  
 SUBJECT TO FURTHER AMENDMENT  
 SIGNED [FULL NAME]  
 DATE [DATE]

REV	DATE	COMMENT	INITIALS
REVA	10/01/22	GRANT SUBMISSION	CM

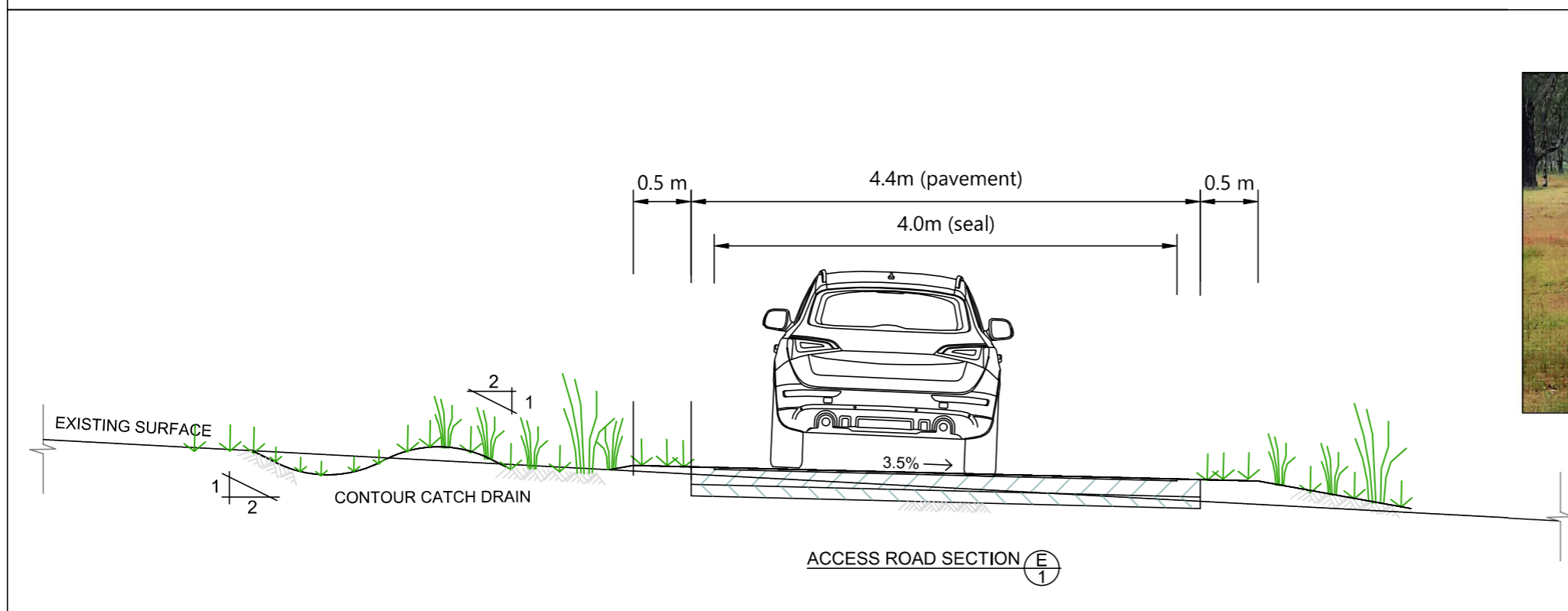
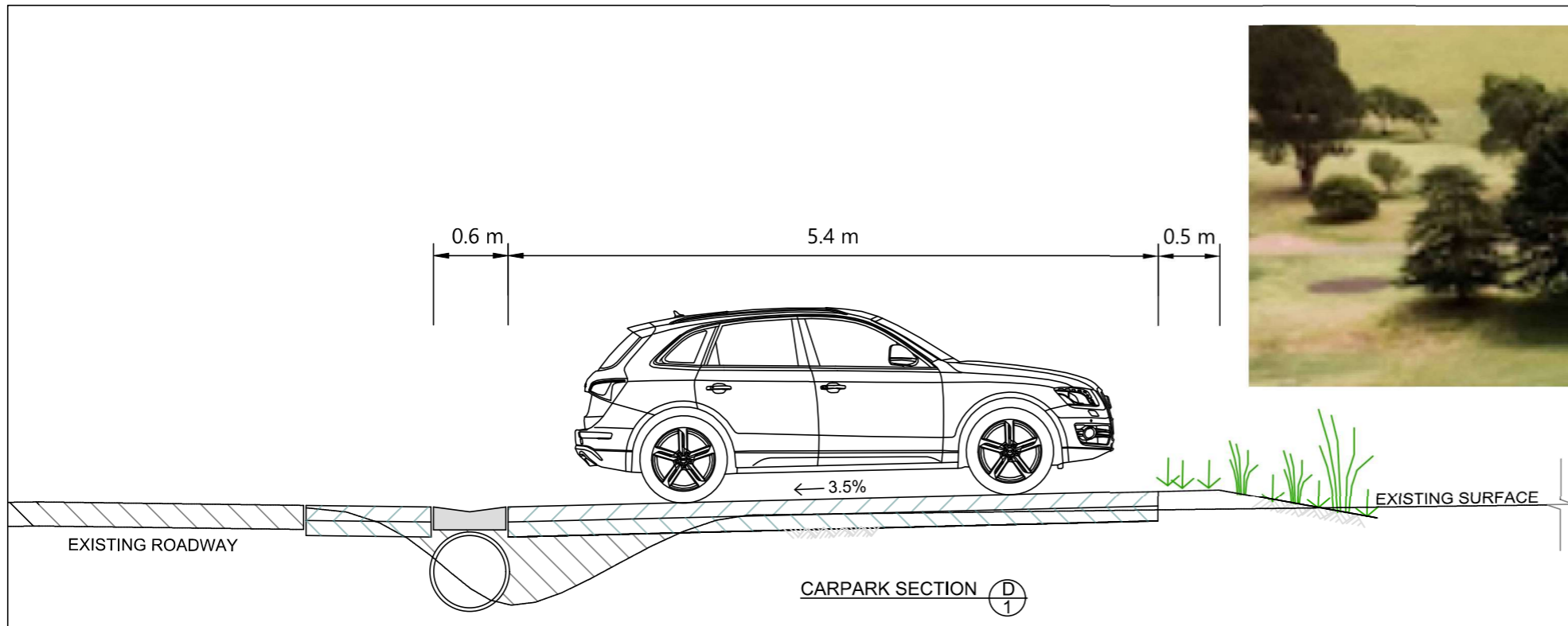
**towongshire**  
 innovation : technology : sustainability

32 TOWONG STREET [PO BOX 55]  
 TALLANGATTA VIC 3700  
 02 6071 5100  
 WWW.TOWONG.VIC.GOV.AU

**TOWONG SHIRE COUNCIL**  
 MITTA MITTA TOWNSHIP - PATHWAYS  
 VIC

[SHEET CATEGORY]  
 [CHAINAGE RANGE]

DESIGNED	HA/RG/SH	DRAWING NO	
DRAWN	CM	T220110	
CHECKED	RG	SHEET NO	PAGE SIZE
APPROVED	RG	5	A3
	SCALE	1:50	
	UNIT	METRES	

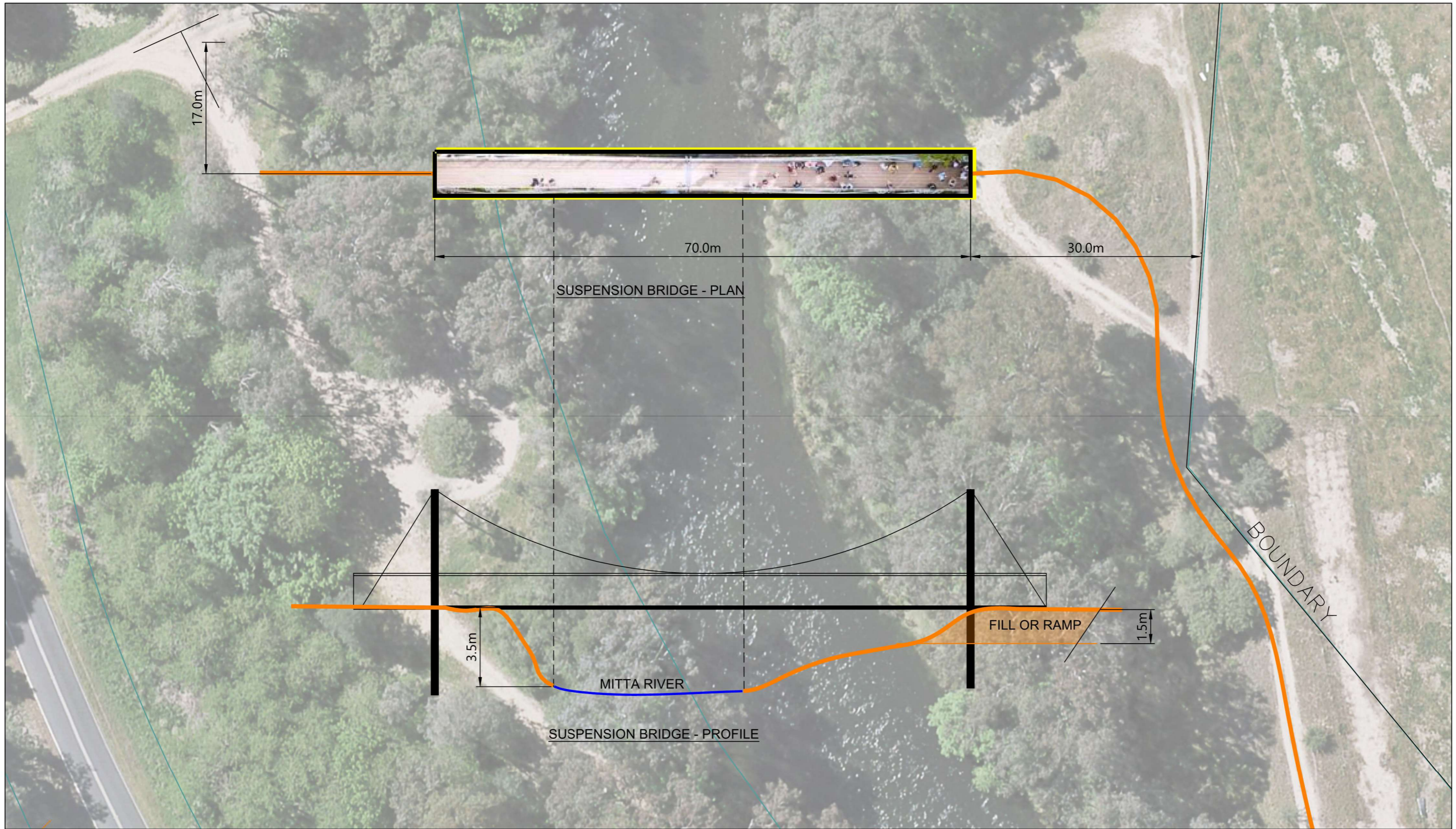


**UNFINISHED DRAWING**  
 FOR DISCUSSION PURPOSES ONLY  
 SUBJECT TO FURTHER AMENDMENT  
 SIGNED [FULL NAME]  
 DATE [DATE]

REV	DATE	COMMENT	INITIALS
REVA	10/01/22	GRANT SUBMISSION	CM

**TOWONG SHIRE COUNCIL**  
 MITTA MITTA TOWNSHIP - PATHWAYS  
 VIC  
 [SHEET CATEGORY]  
 [CHAINAGE RANGE]

DESIGNED	HA/RG/SH	DRAWING NO	
DRAWN	draftsperson	T220110	
CHECKED	engineer		
APPROVED	RG	SHEET NO	PAGE SIZE
	SCALE	1:5000	6
	UNIT		



DYBD REQUIRED BEFORE ALL WORKS COMMENCE

**UNFINISHED DRAWING**  
 FOR DISCUSSION PURPOSES ONLY  
 SUBJECT TO FURTHER AMENDMENT  
 SIGNED [FULL NAME]  
 DATE [DATE]

REV	DATE	COMMENT	INITIALS
REVA	10/01/22	GRANT SUBMISSION	CM

**towongshire**  
 innovation : technology : sustainability

32 TOWONG STREET [PO BOX 55]  
 TALLANGATTA VIC 3700  
 02 6071 5100  
 WWW.TOWONG.VIC.GOV.AU

**TOWONG SHIRE COUNCIL**  
 MITTA MITTA TOWNSHIP - PATHWAYS  
 VIC

[SHEET CATEGORY]  
 [CHAINAGE RANGE]

DESIGNED	HA/RG/SH	DRAWING NO	
DRAWN	draftsperson	T220110	
CHECKED	engineer	SHEET NO	PAGE SIZE
APPROVED	RG	7	A3
SCALE	1:5000		
	UNIT	METRES	



**SUSPENSION BRIDGE - MITTA RIVER CROSSING**  
(LOOKING AT WESTERN BANK)



**SUSPENSION BRIDGE - MITTA RIVER CROSSING**  
(LOOKING AT EASTERN BANK)



DYBD REQUIRED BEFORE ALL WORKS COMMENCE

**UNFINISHED DRAWING**

FOR DISCUSSION PURPOSES ONLY  
SUBJECT TO FURTHER AMENDMENT

SIGNED [FULL NAME]  
DATE [DATE]

REV	DATE	COMMENT	INITIALS
REVA	10/01/22	GRANT SUBMISSION	CM



32 TOWONG STREET [PO BOX 55]  
TALLANGATTA VIC 3700  
02 6071 5100  
WWW.TOWONG.VIC.GOV.AU

**TOWONG SHIRE COUNCIL**

MITTA MITTA TOWNSHIP - PATHWAYS  
VIC

[SHEET CATEGORY]  
[CHAINAGE RANGE]

DESIGNED	HA/RG/SH	DRAWING NO	
DRAWN	draftsperson	T220110	
CHECKED	engineer	SHEET NO	PAGE SIZE
APPROVED	RG	8	A3
	SCALE	1:5000	
	UNIT	METRES	