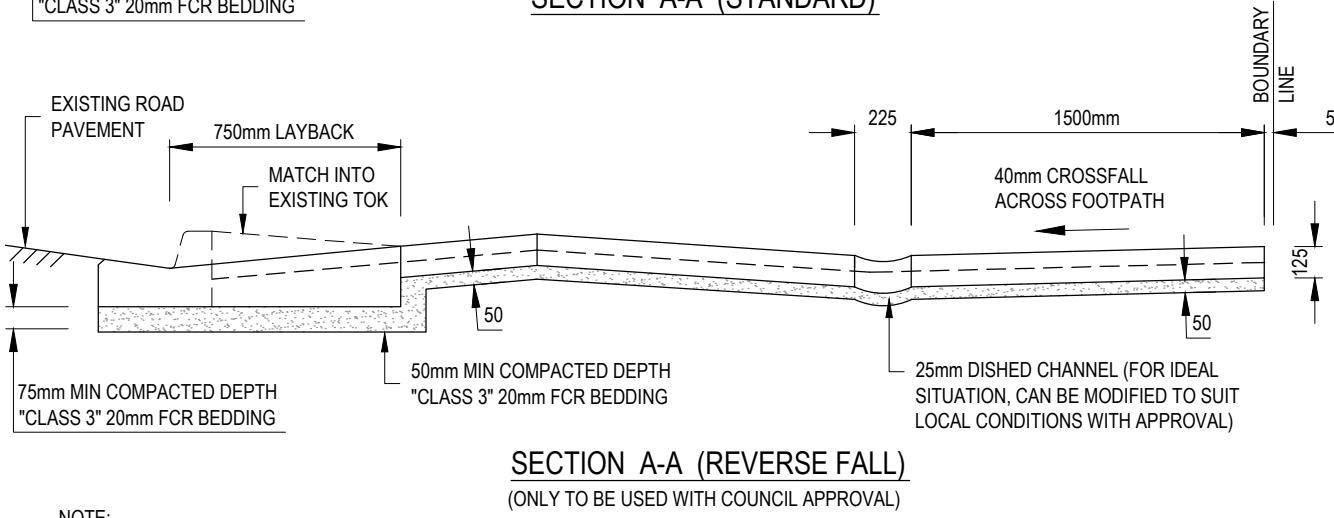
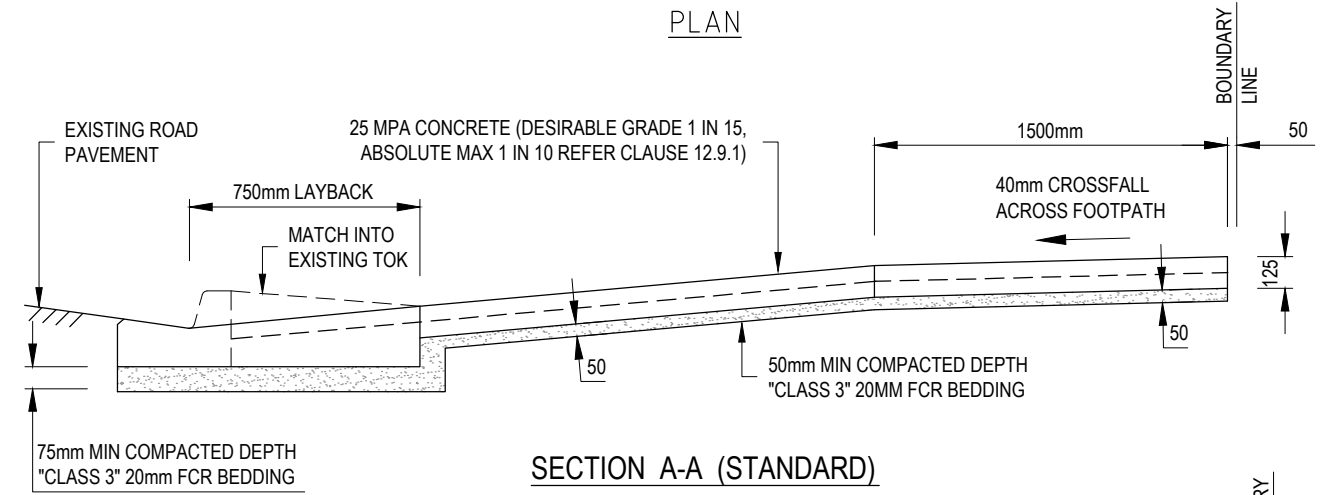


PLAN



NOTE:

FOR GRADES STEEPER THAN 1 IN 15 REFER CLAUSE 12.9.1.
LAYBACK & CROSSOVER, TO BE CONSTRUCTED IN PLAIN CONCRETE ONLY (NO COLOURED CONCRETE BEYOND PROPERTY BOUNDARY)
T.O.K. DENOTES TOP OF KERB

LEGEND:

- EXPANSION JOINT
- CONSTRUCTION JOINTS

ALL MEASUREMENTS IN MILLIMETRES

NEW RESIDENTIAL SINGLE VEHICLE CROSSING DETAIL

LAST UPDATED 20/07/2015

SD 240

Infrastructure Design Manual Standard Drawings

A copy of the Infrastructure Design Manual can be viewed on the Design Manual website www.designmanual.com.au



NOT TO SCALE