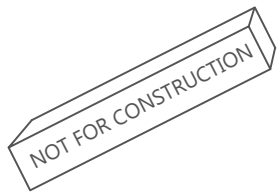
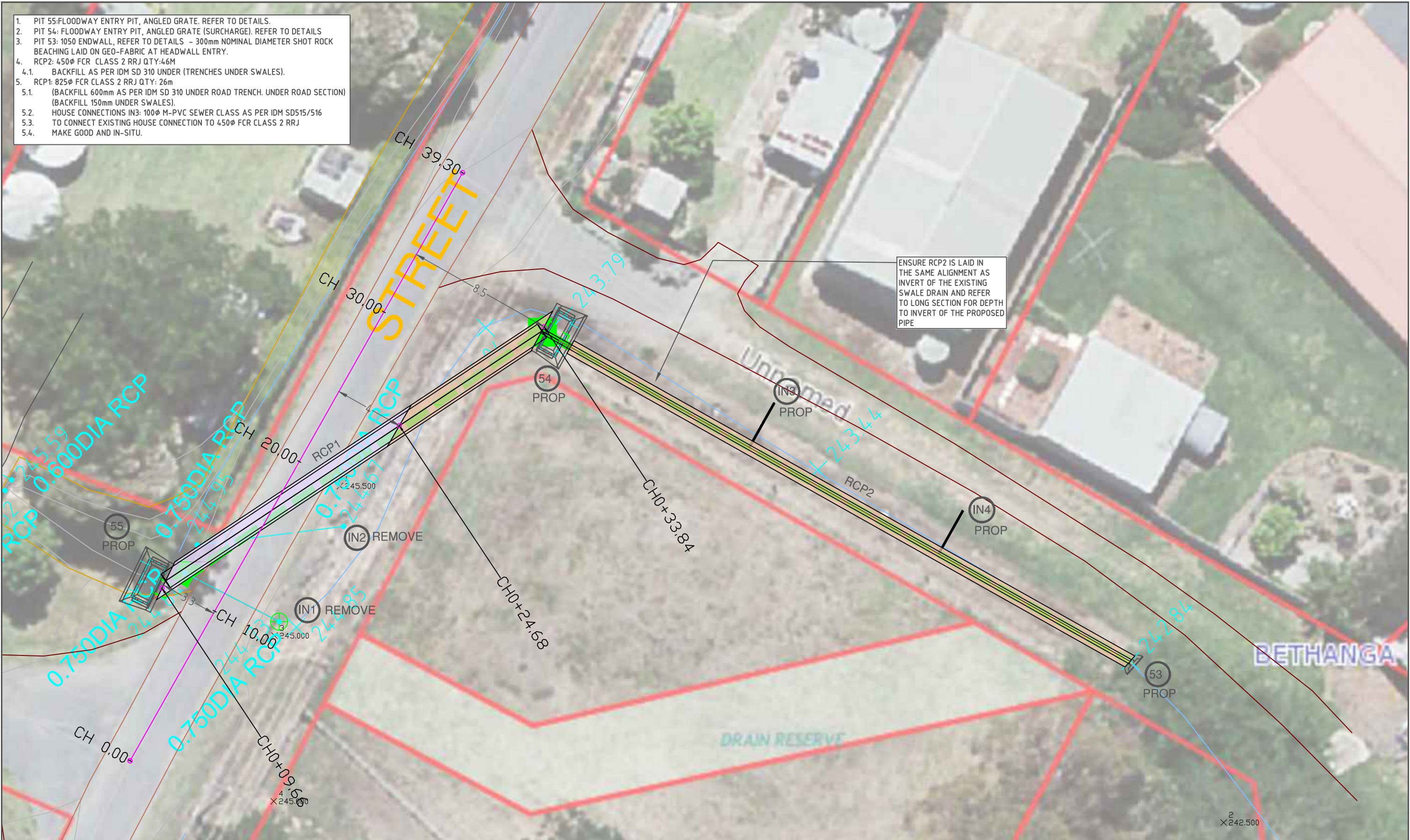


1. PIT 55: FLOODWAY ENTRY PIT, ANGLED GRATE. REFER TO DETAILS.
2. PIT 54: FLOODWAY ENTRY PIT, ANGLED GRATE (SURCHARGE), REFER TO DETAILS
3. PIT 53: 1050 ENDWALL, REFER TO DETAILS - 300mm NOMINAL DIAMETER SHOT ROCK BEACHING LAID ON GEO-FABRIC AT HEADWALL ENTRY.
4. RCP2: 450Ø FCR CLASS 2 RRJ QTY: 46M
- 4.1. BACKFILL AS PER IDM SD 310 UNDER (TRENCHES UNDER SWALES).
5. RCP1: 825Ø FCR CLASS 2 RRJ QTY: 26m
- 5.1. (BACKFILL 600mm AS PER IDM SD 310 UNDER ROAD TRENCH. UNDER ROAD SECTION) (BACKFILL 150mm UNDER SWALES).
- 5.2. HOUSE CONNECTIONS IN3: 100Ø M-PVC SEWER CLASS AS PER IDM SDS15/516
- 5.3. TO CONNECT EXISTING HOUSE CONNECTION TO 450Ø FCR CLASS 2 RRJ
- 5.4. MAKE GOOD AND IN-SITU.



NOTES	REVISIONS
• TENDER ISSUE	• A
•	•
•	•
•	•
•	•
•	•



Towong Shire Council
 WISE STREET BETHANGA,
 STORMWATER
 DRAINAGE PLAN

DESIGNED	JH/RG/SH	DRAWING NO	
DRAWN	SH	108/17	
CHECKED	JH	SHEET 01 OF 05	
APPROVED	JH	1	A3
SCALE 1:100 LENGTH IN METRES			



DRAINAGE LONGITUDINAL SECTION FOR LINE 1
 SCALES: HORIZONTAL 1:350 VERTICAL 1:50



The Essential First Step.
 DYBD REQUIRED BEFORE ALL WORKS COMMENCE

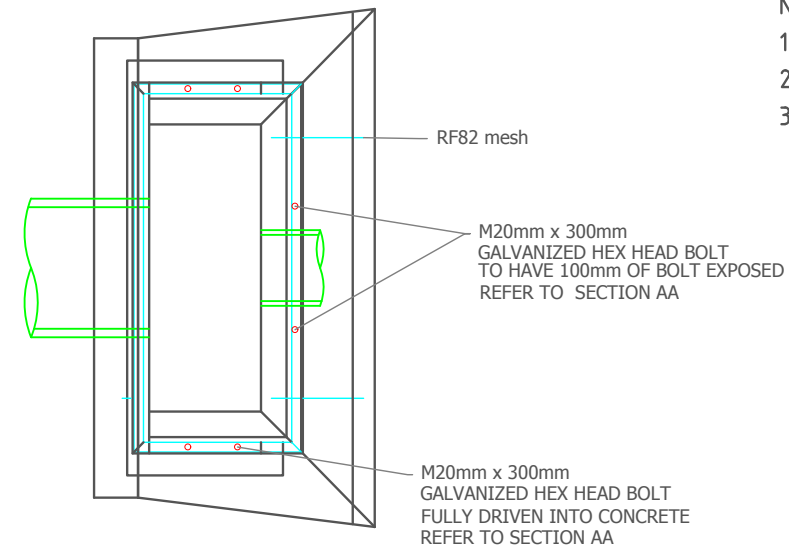
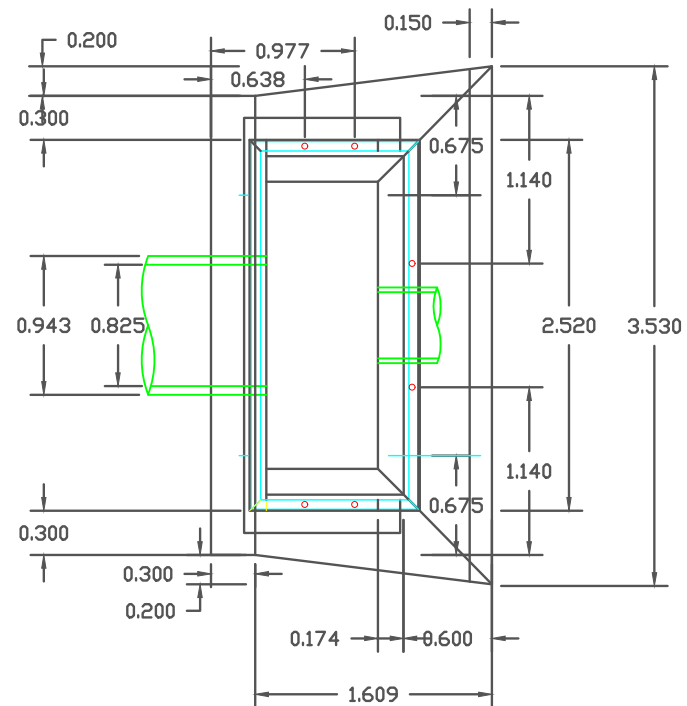
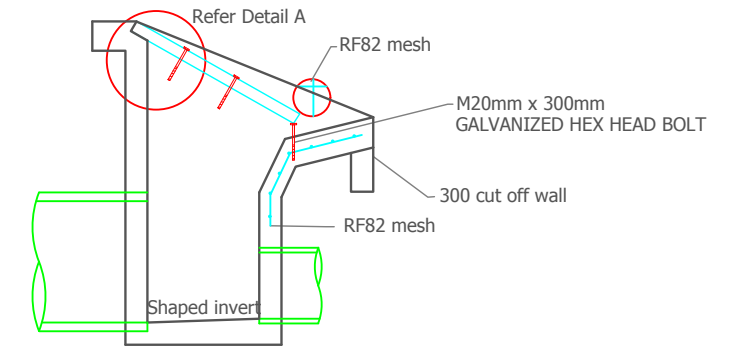
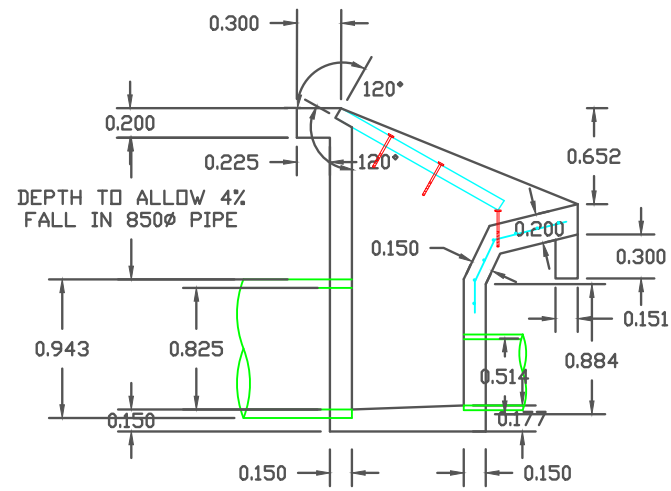


NOTES	REVISIONS
. TENDER ISSUE	. A
.	.
.	.
.	.
.	.



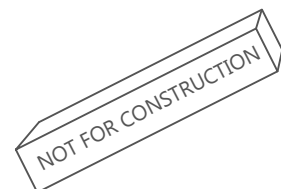
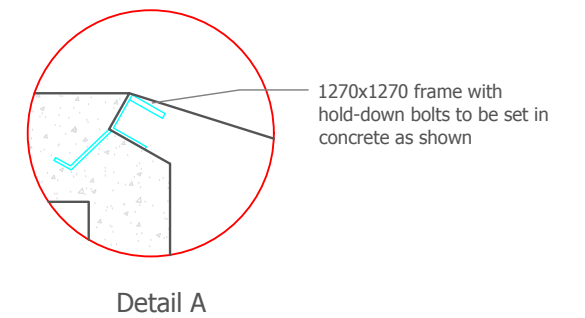
Towong Shire Council
 WISE STREET BETHANGA,
 STORMWATER
 LONG SECTION

DESIGNED	. JH/RG/SH	DRAWING NO 108/17	
DRAWN	. SH		
CHECKED	. RG & JH		
APPROVED	. JH	SHEET 02 OF 05	
NORTH	SCALE 1:600	1	A3
	LENGTH IN METRES		



NOTES:

1. BASE TO BE POURED FIRST, THEN WALLS.
2. REQUIRED CONCRETE STRENGTH 25MPa.
3. REFER TO DRAINAGE PLAN FOR PIPE ENTRY & EXIT POINT

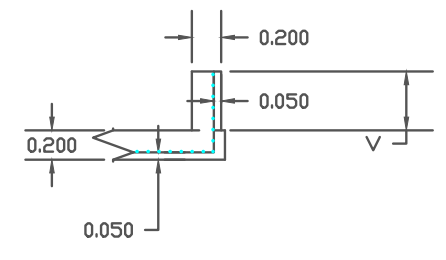
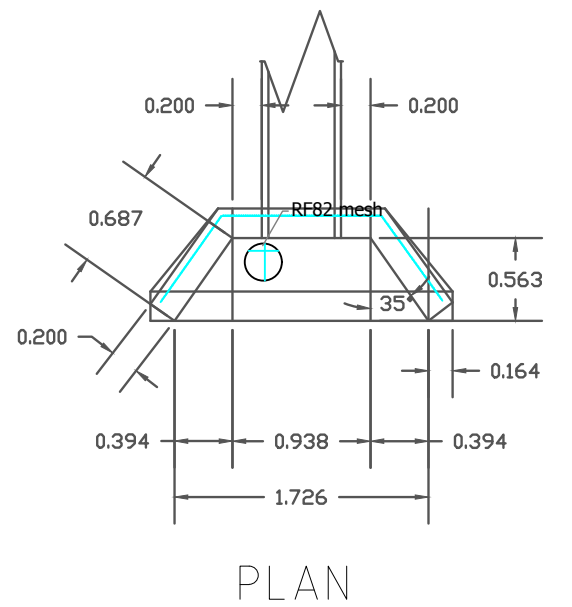
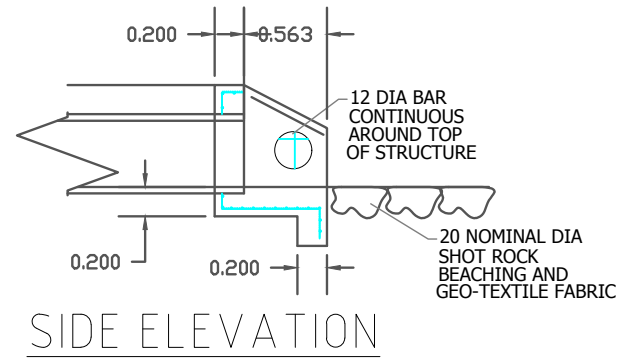
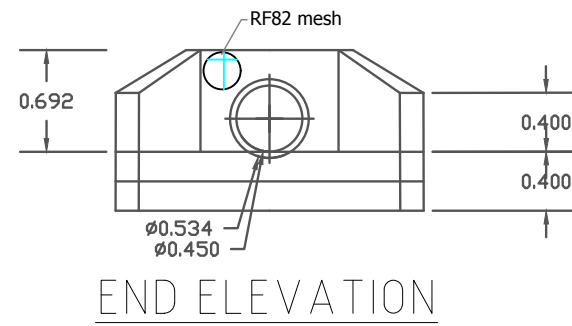


NOTES	REVISIONS
• TENDER ISSUE	• A
•	•
•	•
•	•
•	•



Towong Shire Council
 WISE STREET BETHANGA,
 STORMWATER
 FLOODWAY PIT - ANGLED GRATE.
 SURCHARGE - 54

DESIGNED	• JH/RG/SH	DRAWING NO	
DRAWN	• SH	108/17	
CHECKED	• RG & JH	SHEET 04 OF 05	
APPROVED	• JH	2	A3
SCALE VRS LENGTH IN METRES			

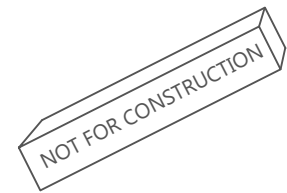


V= VARIABLE HEIGHT OF THE ENDWALL.

- FOR ENDWALL REFER TO IDM SD 465 (REINFORCED CONCRETED WINGWALL (IN-SITU))
THIS DETAIL IS ONLY INDICATIVE OF THE SIZE OF THE ENDWALL.



The Essential First Step.
DYBD REQUIRED BEFORE ALL WORKS COMMENCE



NOTES	REVISIONS
• TENDER ISSUE	• A
•	•
•	•
•	•
•	•



Towong Shire Council
WISE STREET BETHANGA,
STORMWATER
ENDWALL DETAIL HW1 - 53

DESIGNED	• IDM	DRAWING NO 108/17
DRAWN	• SH	
CHECKED	• RG & JH	SHEET 05 OF 05
APPROVED	• JH	
	SCALE 1:25	2 A3
	LENGTH IN METRES	